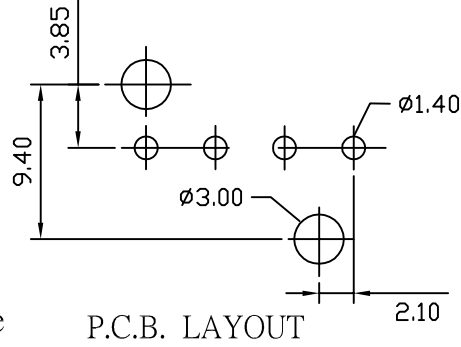


WAFER(180°)

Part No: KJ-4259WV(B)-1
 Material: pin: Brass tin-plated
 Base: Nylon66 UL 94V-2
 Circuits: 2-6circuits available
 Insulation resistance: 1000MΩ min
 Withstand Voltage: 1500V AC/minute
 Current Rating: 9A AC/DC
 Voltage Rating: 600V AC/DC



ORDERING INFORMATION:

KJ-4259WV(B)-1* *P-*-* (*)

Part No

1 : Single Row

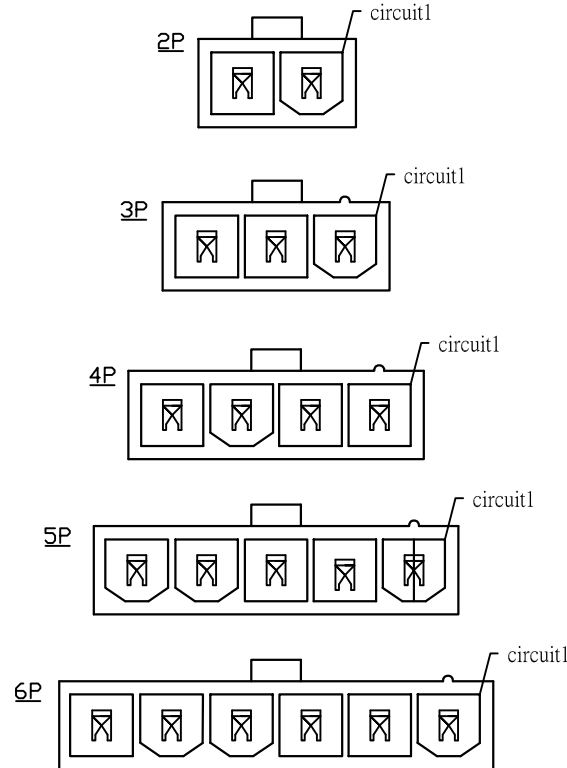
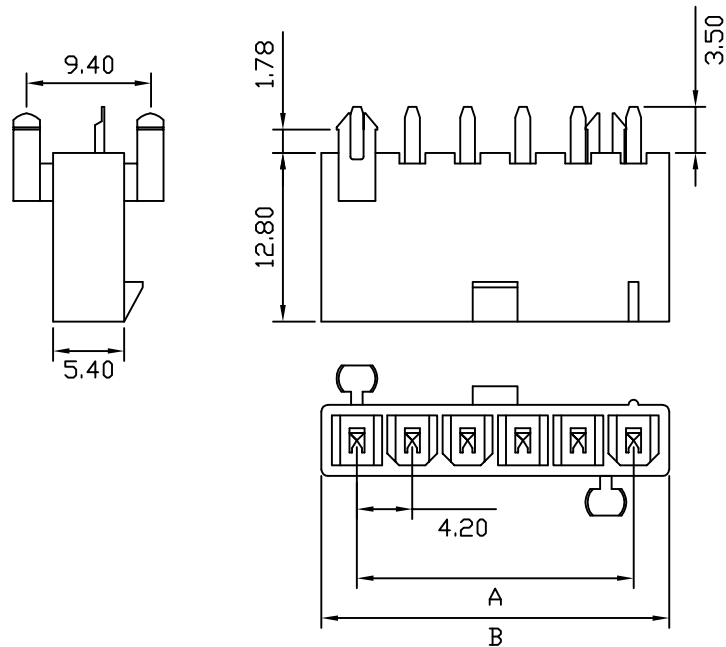
Circuit No

RoHS

Special Material:PA46
6T
V-0

Color

:Tin plated
M:Matte-tin plated
G:Gold flash
G1:Gold 1u"



Dimensions

circuit	A	B
1*2	4.20	9.60
1*3	8.40	13.80
1*4	12.60	18.00
1*5	16.80	22.20
1*6	21.00	26.40

KJ 東莞嘉英電子廠

JIA YING ELECTRONICS

UNIT:MM

繪圖
DRAWING:

吳華雄

比例 (SCALE):

2.5:1

DESCRIPTION:

MX4.2 MINI-FIT(空心PIN)

ANGLE
±2°

DIM:
.X±0.30
.XX±0.20
.XXX±0.10

審核
CHECKED BY

凌輝

名稱 (TITLE):

MX4.2空心PIN

PART NO:

KJ-4259WV(B)-1

REV:A0

核准
APPROVAL BY

苗德蕙

日期 (DATE):

2007/06/05

PROJECTION:

