

A

B

C

D

E

WAFER(90°)
 Part No: KJ-2504WR
 Material: pin: Brass tin-plated
 Base: Nylon 66 UL94V-0
 Circuits: 2-15circuits available
 Insulation Resistance: 1000MΩ min
 Withstand Voltage: 1000V AC/minute
 Current Rating: 3A AC/DC
 Voltage Rating: 250V AC/DC

ORDERING INFORMATION:

KJ-2504WR-*P-*-* (*)

Part No

Circuit No

Special Material:PA46
6T

Color

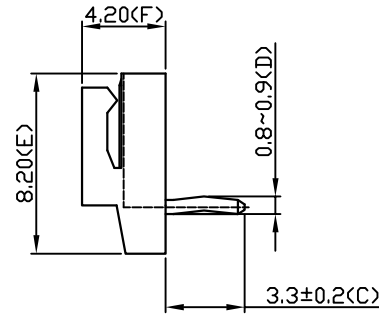
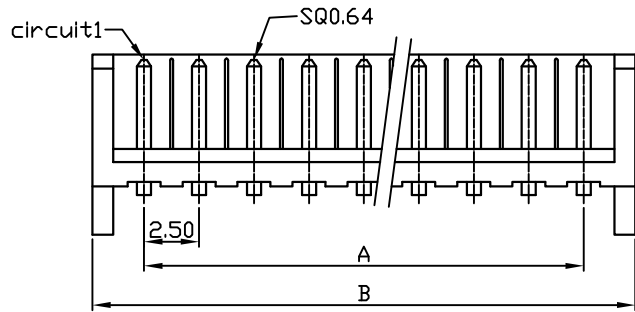
:Standard type W/Kink
NK:None Kink

:Tin plated
M:Matte-tin plated
G:Gold flash
G1:Gold 1u"

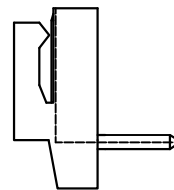
RoHS

Dimensions

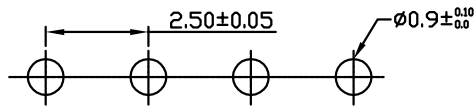
circuit	A	B
2	2.50	7.5
3	5.00	10.0
4	7.50	12.5
5	10.00	15.0
6	12.50	17.5
7	15.00	20.0
8	17.50	22.5
9	20.00	25.0
10	22.50	27.5
11	25.00	30.0
12	27.50	32.5
13	30.00	35.0
14	32.50	37.5
15	35.00	40.0



Standard type



None kink



P.C.B LAYOUT

KJ 東莞嘉英電子廠
 JIA YING ELECTRONICS

UNIT:MM

繪圖
DRAWING:

吳華雄

比例 (SCALE):

3:1

DESCRIPTION:

EH2.5 WAFER 90°

ANGLE
±2°

DIM:
.X±0.50
.XX±0.25
.XXX±0.10

審核
CHECKED BY

凌輝

名稱 (TITLE):

EH2.5 90°

存檔名稱 (FILE):

KJ-2504WR

PART NO:

KJ-2504WR

REV:A1

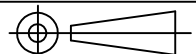
核准
APPROVAL BY

苗德蕙

日期 (DATE):

2007/05/15

PROJECTION:



1

2

3

4

5

6

1

2

3

4

5

6