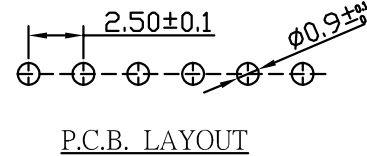
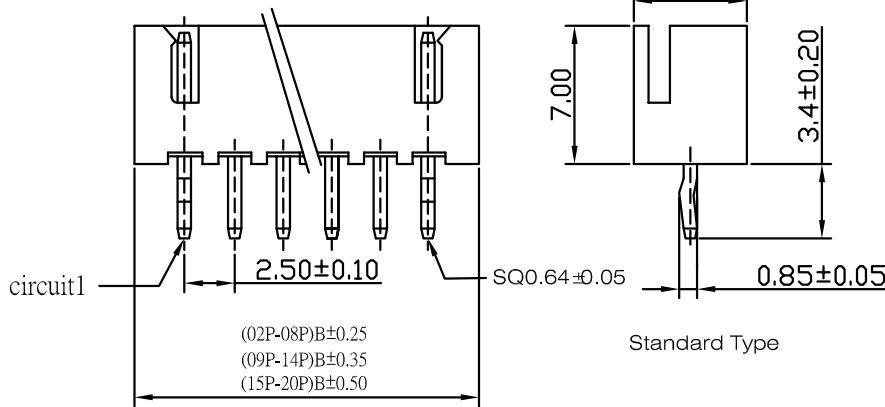
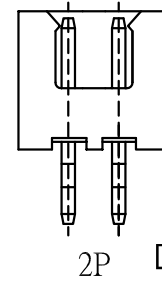
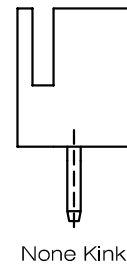
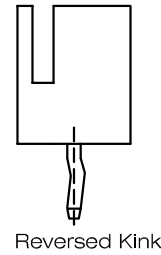
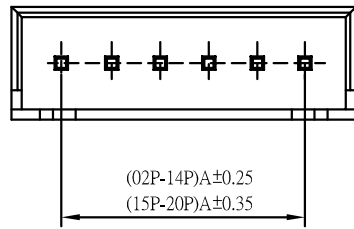


WAFER(180°)
 Part No:KJ-2501WV
 Material:Pin:Brass Tin-Plated
 Base:Nylon 66 UL94-V0
 Circuits:2-20circuits available
 Insulation Resistance:1000M Ω min
 Withstand Voltage:1000V AC/minute
 Current Rating:3A AC/DC
 Voltage Rating:250V AC/DC

ORDERING INFORMATION:
KJ-2501WV-*P-*-* * (*)
 Part No(產品型號)
 Circuit No(pin位)
 Special Material:PA46 (特殊材質) 6T
 Color(顏色)
 :Standard type w/Kink (正K)
 RK:Reversed Kink(反K)
 NK:None Kink(不打K)
 :Tin plated(鍍錫)
 M:Matte-tin plated (霧錫)
 G:Gold flash (普通鍍錫)
 G1:Gold 1u" (鍍金1u")

RoHS



Dimensions

Circuit	A	B	Circuit	A	B
2	2.50	7.50	12	27.50	32.50
3	5.00	10.00	13	30.00	35.00
4	7.50	12.50	14	32.50	37.50
5	10.00	15.00	15	35.00	40.00
6	12.50	17.50	16	37.50	42.50
7	15.00	20.00	17	40.00	45.00
8	17.50	22.50	18	42.50	47.50
9	20.00	25.00	19	45.00	50.00
10	22.50	27.50	20	47.50	52.50
11	25.00	30.00			

KJ 東莞嘉英電子廠
 JIA YING ELECTRONICS

UNIT:MM

繪圖
DRAWING:

王三星

比例 (SCALE):

3:1

DESCRIPTION:

XH2.5 WAFER 180°

ANGLE
±2°

DIM:
 .X±0.50
 .XX±0.25
 .XXX±0.10

審核
CHECKED BY

凌輝

名稱 (TITLE):

XH2.5 180°

PART NO:

KJ-2501WV

REV:A2

核准
APPROVAL BY

苗德蕙

存檔名稱 (FILE):

KJ-2501WV

日期 (DATE):

2009/07/08

PROJECTION:

