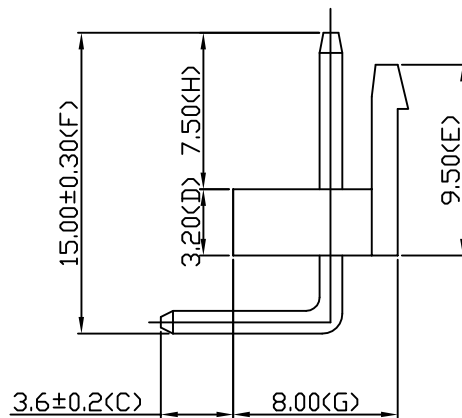
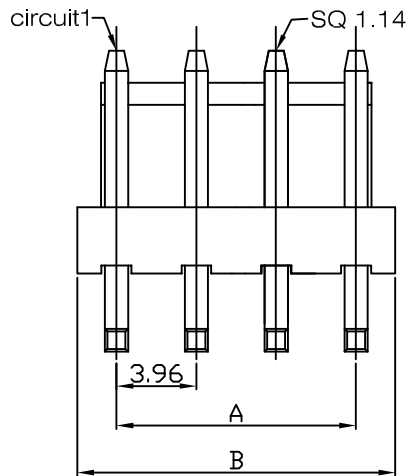
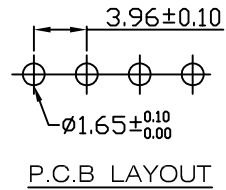
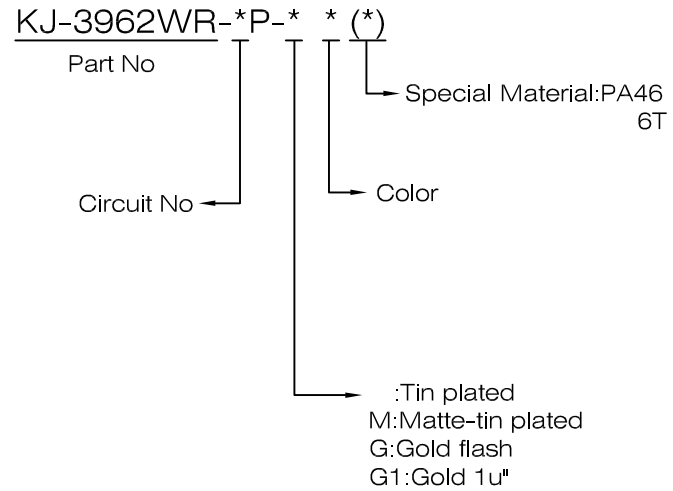


WAFER(90°)
 Part No: KJ-3962WR
 Material: pin: Brass tin-plated
 Base: Nylon 66 UL94v-0
 Circuits: 2-16circuits available
 Insulation resistance: 1000MΩ min
 Withstand Voltage: 1500V AC/minute
 Current rating: 7A AC/DC
 Voltage rating: 250V AC/DC

ORDERING INFORMATION:

RoHS



Dimensions

Circuits	A	B	Circuits	A	B
2	3.96	7.92	10	35.64	39.60
3	7.92	11.88	11	39.60	43.56
4	11.88	15.84	12	43.56	47.52
5	15.84	19.80	13	47.52	51.48
6	19.80	23.76	14	51.48	55.44
7	23.76	27.72	15	55.44	59.40
8	27.72	31.68	16	59.40	63.36
9	31.68	35.64			

KJ 東莞嘉英電子廠
 JIA YING ELECTRONICS

UNIY: mm

繪圖
DRAWING

王三星

比例 (SCALE): 3:1

ANGLE ±2°

DIM:
 X.X ±0.5
 X.XX ±0.25
 X.XXX ±0.10

審核
CHECKED BY

凌輝

名稱 (TLTLE): VH3.96

DESCRIPTION: VH3.96 WAFER 90°

存檔名稱 (FILE): KJ-3962WR

PART NO: KJ-3962WR

REV:A3

核准
APPROVAL BY

苗德蕙

日期 (DATE): 2007/11/13

PROJECTION: