

WAFER(180°)

Part NO: KJ-3962WV

Material: pin: Brass tin-plated

Base: Nylon 66 UL94v-0

Circuits: 2-16circuits available

Insulation Resistance: 1000MΩ min

Withstand Voltage: 1500V AC/minute

Current Rating: 7A AC/DC

Voltage Rating: 250V AC/DC

RoHS

ORDERING INFORMATION:

KJ-3962WV-\*P-\* \* (\*)

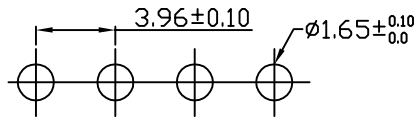
Part No

Circuit No

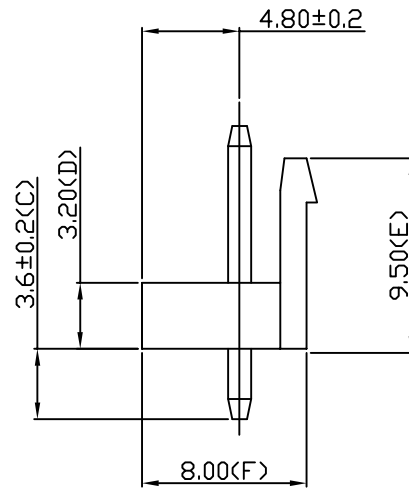
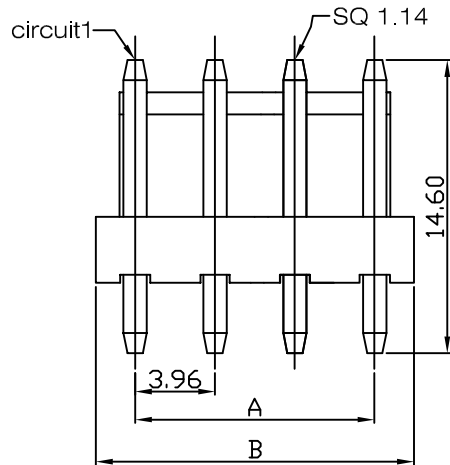
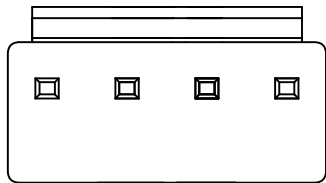
Special Material:PA46  
6T

Color

:Tin plated  
M:Matte-tin plated  
G:Gold flash  
G1:Gold 1u"



P.C.B LAYOUT



Dimensions

Circuits	A	B	Circuits	A	B
2	3.96	7.92	10	35.64	39.60
3	7.92	11.88	11	39.60	43.56
4	11.88	15.84	12	43.56	47.52
5	15.84	19.80	13	47.52	51.48
6	19.80	23.76	14	51.48	55.44
7	23.76	27.72	15	55.44	59.40
8	27.72	31.68	16	59.40	63.36
9	31.68	35.64			

**KJ** 東莞嘉英電子廠  
JIA YING ELECTRONICS

UNIY: mm

繪圖  
DRAWING

王三星

比例 (SCALE):

3:1

ANGLE  
±2°

DIM:

X.X ±0.5  
X.XX±0.25  
X.XX±0.10

審核  
CHECKED BY

凌輝

名稱 (TLTLE):

VH3.96

DESCRIPTION:

VH3.96 WAFER 180°

存檔名稱 (FILE):

KJ-3962WV

PART NO:

KJ-3962WV

REV:A1

核准  
APPROVAL BY

苗德蕙

日期 (DATE):

2007/11/13

PROJECTON:

