

RoHS

WAFER(180°)

Part No:KJ-5081WV
 Material: Pin:Brass Tin-plated
 Base: Nylon 66 UL94V-2
 Circuits:2-15circuits available
 Insulation resistance:1000MΩ min
 Withstand Voltage: 1500V AC/minute
 Current Rating: 7A AC/DC
 Voltage Rating: 250V AC/DC

ORDERING INFORMATION:

KJ-5081WV-*P-* * (*)

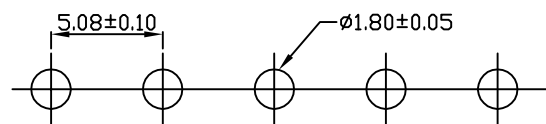
Part No

Circuit No

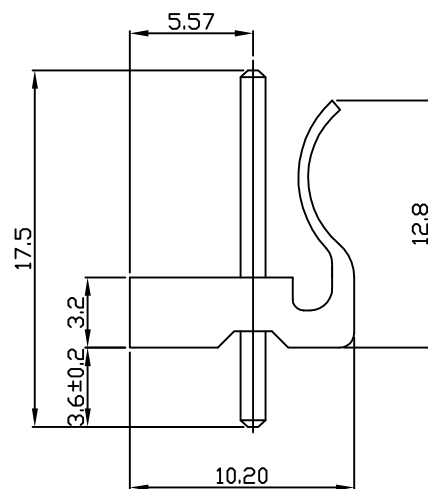
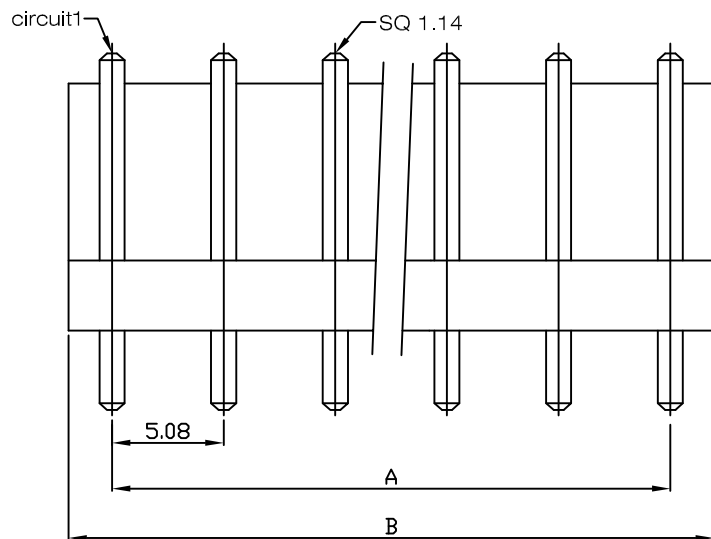
Special Material:V-0

Color

:Tin plated
 M:Matte-tin plated
 G:Gold flash
 G1:Gold 1u"



P.C.B. LAYOUT



circuits	A	B
2	5.08	10.10
3	10.16	15.20
4	15.24	20.30
5	20.32	25.40
6	25.40	30.50
7	30.48	35.60
8	35.56	40.70
9	40.64	45.80
10	45.72	50.90
11	50.80	56.00
12	55.88	61.10
13	60.96	66.20
14	66.04	71.30
15	71.12	76.40

KJ 東莞嘉英電子廠
 JIA YING ELECTRONICS

UNIT:MM

繪圖
DRAWING:

吳華雄

比例 (SCALE):

3:1

DESCRIPTION:

MX5.08 WAFER 180°

ANGLE
±2°

DIM:
.X±0.50
.XX±0.25
.XXX±0.10

審核
CHECKED BY

凌輝

名稱 (TITLE):

MX5.08

PART NO:

KJ-5081WV

REV:A0

核准
APPROVAL BY

苗德蕙

PROJECTION:

