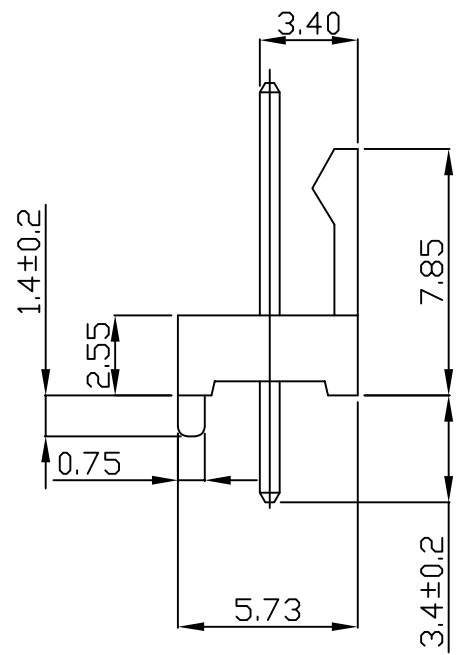
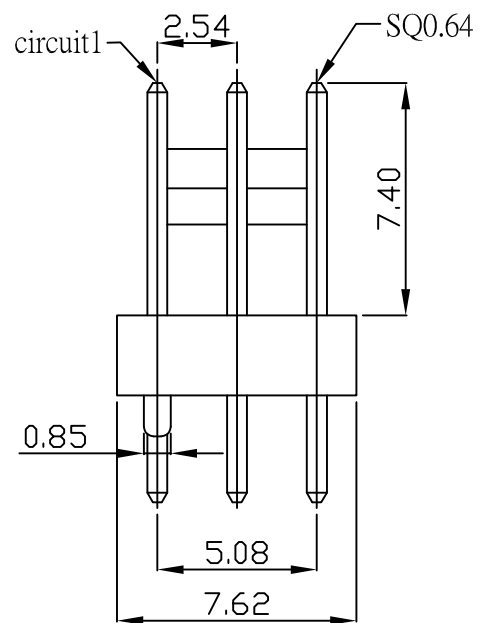
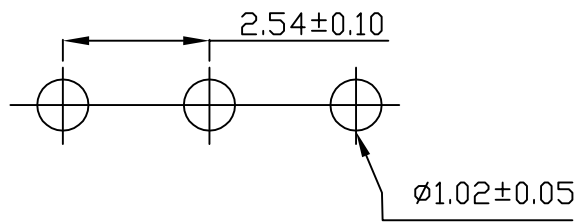
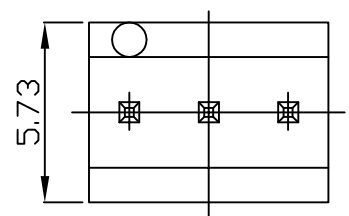


RoHS



WAFER(180°)
 Part No: KJ-2542WV
 Material: pin: Brass tin-plated
 Base: Nylon 66 UL94V-0
 Circuits:3P
 Insulation resistance: 1000MΩ min
 Withstand Voltage: 1000V AC/minute
 Current Rating: 3A AC/DC
 Voltage Rating: 250V AC/DC



P.C.B LAYOUT

KJ 東莞嘉英電子廠
JIA YING ELECTRONICS

UNIT:MM

繪圖
DRAWING: 王三星

比例 (SCALE): 3:1

DESCRIPTION: MX2.54 WAFER180° 防呆

ANGLE ±2°
DIM: .X±0.50
.XX±0.25
.XXX±0.10

審核
CHECKED BY: 凌輝

名稱 (TITLE): MX2.54 防呆

PART NO: KJ-2542WV

REV:A1

核准
APPROVAL BY: 苗德蕙

存檔名稱 (FILE): KJ-2542WV

日期 (DATE): 2007/11/01

PROJECTION: