

WAFER(90°)

Part No: KJ-2541ZWR
 Material: pin: Brass tin-plated
 Base: Nylon 66 UL94-V2
 Circuits: 2-20circuits available
 Insulation Resistance: 1000MΩ min
 Withstand Voltage: 1000V AC/minute
 Current Rating: 3A AC/DC
 Voltage Rating: 250V AC/DC

RoHS

ORDERING INFORMATION:

KJ-2541ZWR-*P-*-*>(*)

Part No

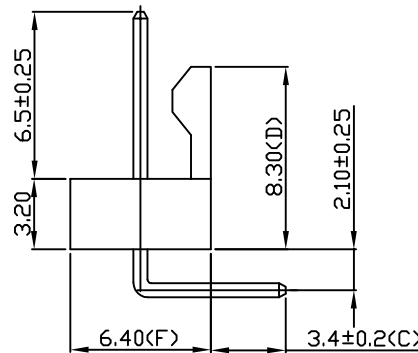
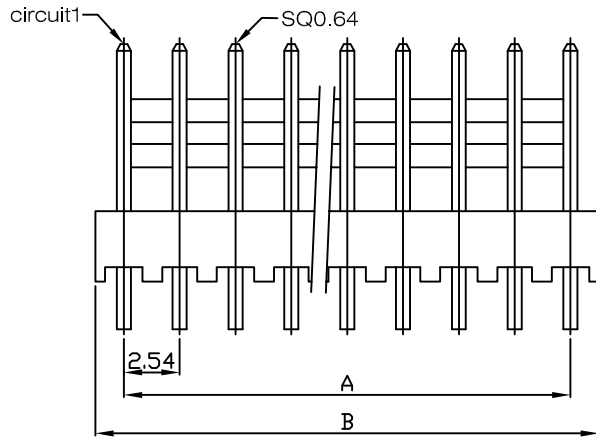
Circuit No

Special Material:PA46
 6T
 V-0

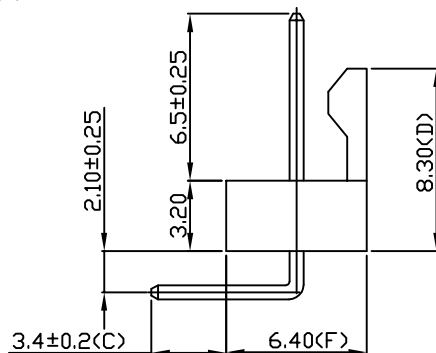
Color

:Right Angle
 FW:Left Angle

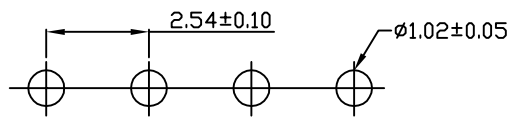
:Tin plated
 M:Matte-tin plated
 G:Gold flash
 G1:Gold 1u"



Right Angle



Left Angle



P.C.B LAYOUT

Dimensions

Circuit	A	B	Circuit	A	B
			11	25.40	27.94
2	2.54	5.08	12	27.94	30.48
3	5.08	7.62	13	30.48	33.02
4	7.62	10.16	14	33.02	35.56
5	10.16	12.70	15	35.56	38.10
6	12.70	15.24	16	38.10	40.64
7	15.24	17.78	17	40.64	43.18
8	17.78	20.32	18	43.18	45.72
9	20.32	22.86	19	45.72	48.26
10	22.86	25.40	20	48.26	50.80

KJ 東莞嘉英電子廠
 JIA YING ELECTRONICS

UNIT:MM

繪圖
 DRAWING:

王三星

比例 (SCALE):

3:1

名稱 (TITLE):

MX2.54ZWR

存檔名稱 (FILE):

KJ-2541ZWR

日期 (DATE):

2007/12/05

PROJECTION:



DESCRIPTION:

MX2.54 WAFER 90°

PART NO:

KJ-2541ZWR

ANGLE
 ±2°

DIM:
 .X±0.50
 .XX±0.25
 .XXX±0.10

REV:A2

審核
 CHECKED BY

凌輝

核准
 APPROVAL BY

苗德蕙