

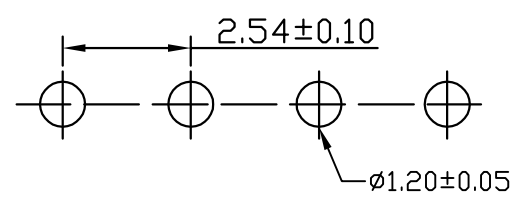
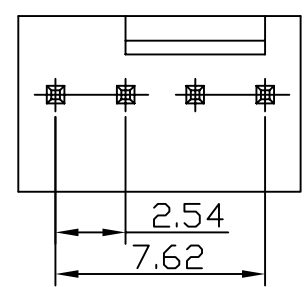
RoHS

ORDERING INFORMATION:

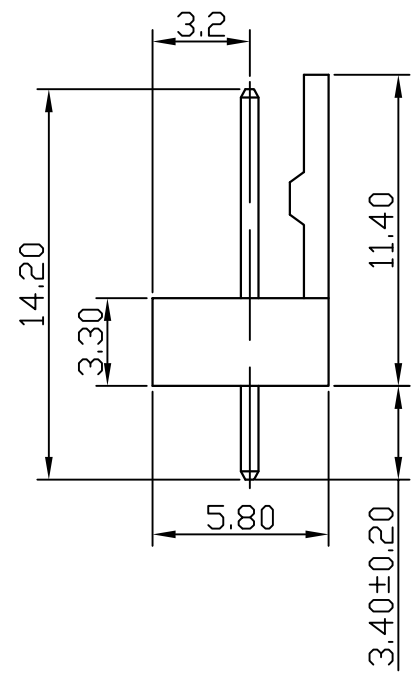
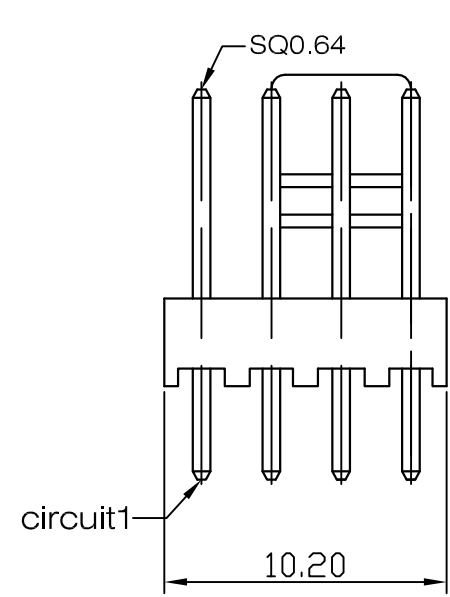
KJ-2541WVA-4P-\* \* (\*)  
 Part No  
 防呆型  
 Circuit No  
 Special Material:PA46  
 6T  
 V-0  
 Color

:Tin plated  
 M:Matte-tin plated  
 G:Gold flash  
 G1:Gold 1u"

WAFER(180°)  
 Part No: KJ-2541WVA-04  
 Material: pin: Brass tin-plated  
 Base: Nylon 66 UL94V-2  
 Circuits: 4P  
 Insulation resistance: 1000MΩ min  
 Withstand Voltage: 1000V AC/minute  
 Current Rating: 3A AC/DC  
 Voltage Rating: 250V AC/DC



P.C.B LAYOUT



**KJ** 東莞嘉英電子廠  
 JIA YING ELECTRONICS

UNIT:MM

繪圖  
 DRAWING: 吳華雄

比例 (SCALE): 3:1

DESCRIPTION: MX2.54 WAFER 180° 防呆

ANGLE ±2°  
 DIM: .X±0.50  
 .XX±0.25  
 .XXX±0.10

審核  
 CHECKED BY 凌輝

名稱 (TITLE): MX2.54 180° 防呆

PART NO: KJ-2541WVA-04

REV:A0

核准  
 APPROVAL BY 苗德蕙

存檔名稱 (FILE): KJ-2541WVA-04

日期 (DATE): 2007/05/10

PROJECTION:

