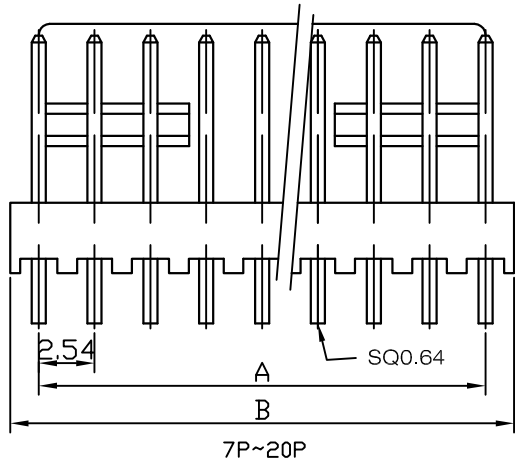
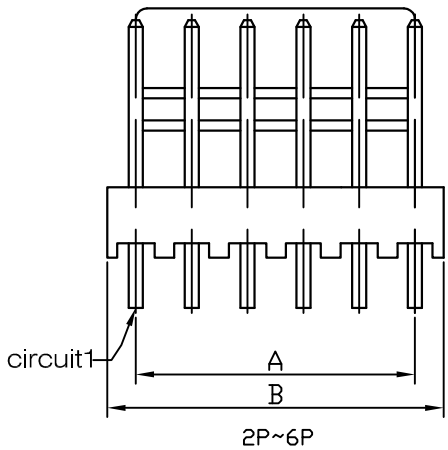


P.C.B LAYOUT



7P~20P



2P~6P

WAFER(90°)

Part No: KJ-2541WR
 Material: pin: Brass tin-plated
 Base: Nylon 66 UL94-V2
 Circuits: 2-20circuits available
 Insulation Resistance: 1000MΩ min
 Withstand Voltage: 1000V AC/minute
 Current Rating: 3A AC/DC
 Voltage Rating: 250V AC/DC

ORDERING INFORMATION:

KJ-2541WR-*P-*-* (*)

Part No

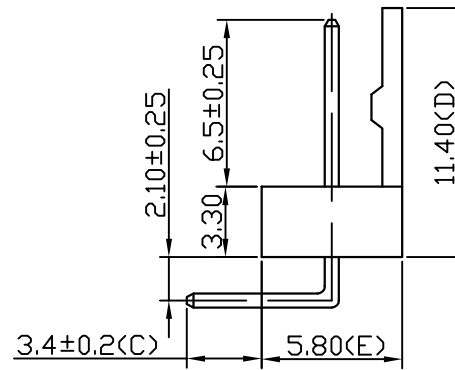
Circuit No

Special Material:PA46
6T
V-0

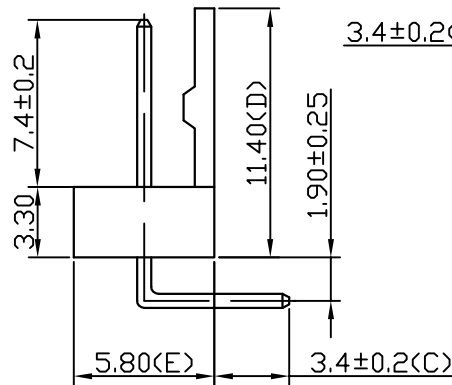
Color

:Right Angle
FW:Left Angle

:Tin plated
M:Matte-tin plated
G:Gold flash
G1:Gold 1u"



Left Angle



Right Angle

Dimensions

Circuit	A	B	Circuit	A	B
			11	25.40	27.94
2	2.54	5.08	12	27.94	30.48
3	5.08	7.62	13	30.48	33.02
4	7.62	10.16	14	33.02	35.56
5	10.16	12.70	15	35.56	38.10
6	12.70	15.24	16	38.10	40.64
7	15.24	17.78	17	40.64	43.18
8	17.78	20.32	18	43.18	45.72
9	20.32	22.86	19	45.72	48.26
10	22.86	25.40	20	48.26	50.80

KJ 東莞嘉英電子廠
JIA YING ELECTRONICS

UNIT:MM

繪圖
DRAWING:

王三星

比例 (SCALE):

3:1

名稱 (TITLE):

MX2.54 90°

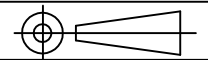
存檔名稱 (FILE):

KJ-2541WR

日期 (DATE):

2007/12/05

PROJECTION:



DESCRIPTION:

MX2.54 WAFER 90°

PART NO:

KJ-2541WR

ANGLE
±2°

DIM:
.X±0.50
.XX±0.25
.XXX±0.10

審核
CHECKED BY

凌輝

核准
APPROVAL BY

苗德蕙

REV:A3